



ULTRAMAX[®] 500-CV

This highly portable impactor plant is one of the most durable, reliable, and versatile plants for your smaller-sized jobs.

PRIMARY FEATURES

- » Easily transports in one pull. Check with your DOT.
- 1** Optional electro-magnet is available as a cross-belt or in-line installation that stays on for transport.
- » Hydraulic lift and leveling system enables quick set up and tear down by using the hydraulic run-on legs.
- 2** Totally self-contained, reliable diesel/ electric or all-electric power. You won't have to worry about hydraulic leaks and failures shutting you down.
- » Features the industry's first LIFETIME ROTOR WARRANTY on its solid-steel, three-bar, sculptured rotor—the industry's heaviest—to keep you up and crushing.*

* North America only.



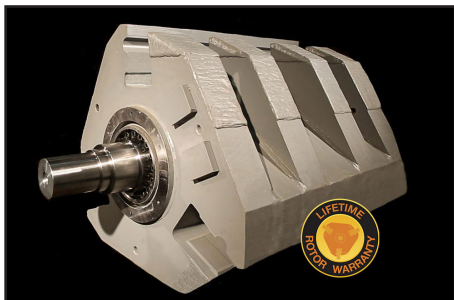
ADDITIONAL FEATURES

- » Outperforms similar sized track units for production and quality of product.
- » Transports with ease. Just hook up the tractor and go. No additional or specialized trailer necessary.
- » Moves easily around the job site with the optional dolly kit with pintle hitch.
- » Manage the feeder speed for complete control of the flow of material into the impactor with Variable Frequency Drive (VFD).
- » Features unique two-step, 5' grizzly deck to remove fines before crushing.
- » Features standard grizzly bypass chute and available cross-belt conveyor with flop gate to allow for either removal of the material that passes through the grizzly deck for stockpiling or blending back with the crushed material.
- » Includes removable electrical control panel featuring pre-wired receptacles for radial stackers.
- » Includes wireless remote control for the feeder shutdown and all motor stop.



ULTRAMAX® 500-CV

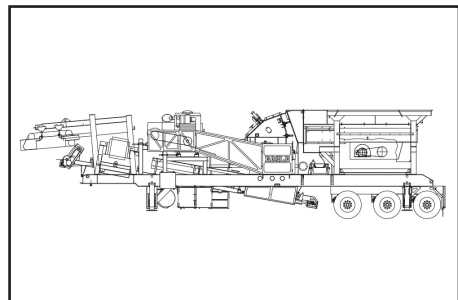
CV refers to the discharge conveyor coming straight out from the front of the impactor plant.



Solid-steel, three-bar, sculptured rotor with LIFETIME ROTOR WARRANTY, North America only.



Easy, one-pull transport. Check with your DOT.



500-05 CV PORTABLE IMPACTOR PLANT TECHNICAL SPECIFICATIONS*

| Model | |
|--------------------------------|--|
| Impactor | UM-05 |
| Operating Length | 48' 6" / 14.8M |
| Gross Weight | 73000lbs / 33100kg |
| Travel Length | 44' 6" / 13.5M |
| Travel Width | 8' 6" / 2.6M |
| Travel Height | 13' 5" / 4.1M |
| Feed Hopper Capacity | 9yd ³ / 6.9M ³ |
| Feed Hopper Capacity (Tons) | 12.2T / 11.1MT |
| Vibrating Feeder | 16' x 32" / 4.9M x 0.8M |
| Feeder Grizzly Deck | 60" long 2 step / 1524mm 2 step |
| On-Plant Power Supply Diesel | 225HP / 168kW diesel engine and 80kW generator |
| On-Plant Power Supply Electric | 150HP / 112kW all-electric power |
| Discharge Conveyor Width | 30" / 762mm |
| Discharge Conveyor Height | 7' 4" / 2232mm |

ULTRAMAX® IMPACTOR MODEL AND SPECIFICATIONS*

| Model | Diameter x Width | Width x Height | Power Required (HP / kW) | Approx. Weight (lbs / kg) | Rotor Weight (lbs / kg) | Production Capacity** |
|-------|---------------------------------|--|-----------------------------|------------------------------|----------------------------|------------------------|
| | Rotor (Inches / Millimeters) | Feed Opening (Inches / Millimeters) | | | | |
| UM-05 | 40 x 33 / 1016 x 838 | 33 x 32 / 838 x 813 | 75 - 150 / 56 - 112 | 20900lbs / 9500kg | 7000lbs / 3200kg | Varies by application. |

*Design specifications subject to change without notice.

**Contact your Eagle Sales Representative with your specific application for anticipated production capacity.

Call 800-25-EAGLE (800-253-2453) or visit www.EagleCrusher.com
525 South Market St., Galion, OH 44833 • 419-468-2288 • fax: 419-468-4840 • email: sales@eaglecrusher.com

Rev 02/2023



©2023 Eagle Crusher Company, Inc.