

# ULTRAMAX<sup>®</sup> 500-CC

This plant is designed for smaller-sized jobs that require cubicle spec products from a highly portable crushing and screening plant on one chassis.

## PRIMARY FEATURES

- » Easily transports in one pull. Check with your DOT.
- 1 Two-deck inclined screen produces two cubical spec products.
- 2 Totally self-contained, reliable diesel/electric or all-electric power. You won't have to worry about hydraulic leaks and failures shutting you down.
- » Top-deck retained material is returned to the crusher for further processing.
- » Hydraulic lift and leveling system enables quick set up and tear down by using the hydraulic run-on legs.
- 3 Available in-line electro-magnet removes for transport.
- » Features the industry's first LIFETIME ROTOR WARRANTY on its solid-steel, three-bar, sculptured rotor—the industry's heaviest—to keep you up and crushing.\*

\* North America only.



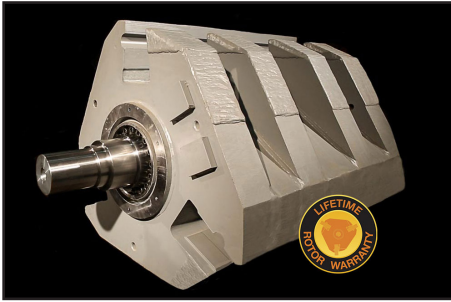
## ADDITIONAL FEATURES

- » Features closed-circuit crushing and screening on one chassis.
- » Replaces Jaw/Cone/Screen multi-unit systems for a much lower initial investment while maintaining a high production of cubical spec product. Greatly reduces maintenance and fuel costs and is easily transported.
- » Features unique two-step, 5' grizzly deck to remove fines before crushing.
- » Features standard grizzly bypass chute and available cross-belt conveyor with flop gate to allow for either removal of the material that passes through the grizzly deck for stockpiling or blending back with the crushed material.
- » Includes removable electrical control panel featuring pre-wired receptacles for radial stackers.
- » Transports easily with the hydraulic retractable return conveyor.
- » Manage the feeder speed for complete control of the flow of material into the impactor and on return conveyor with Variable Frequency Drives (VFD).
- » Includes wireless remote control for the feeder shutdown and all motor stop.



# ULTRAMAX® 500-CC

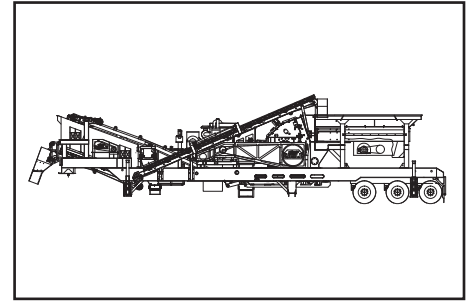
CC refers to a crushing/screening closed-circuit plant on one chassis.



Solid-steel, three-bar, sculptured rotor with LIFETIME ROTOR WARRANTY, North America only.



Top-deck retained material is returned to the crusher for further processing.



## 500-05 CC PORTABLE IMPACTOR PLANT TECHNICAL SPECIFICATIONS\*

Model	
Impactor	UM-05
Operating Length	63' 0" / 19.2M
Gross Weight	90500lbs / 41100kg
Travel Length	57' 0" / 17.4M
Travel Width	11' 0" / 3.4M
Travel Height	13' 6" / 4.1M
Feed Hopper Capacity	9yd <sup>3</sup> / 6.9M <sup>3</sup>
Feed Hopper Capacity (Tons)	12.2T / 11.1MT
Vibrating Feeder	16' x 32" / 4.9M x 0.8M
Feeder Grizzly Deck	60" long 2 step / 1524mm 2 step
On-Plant Power Supply Diesel	250HP / 184kW diesel engine and 80kW generator
On-Plant Power Supply Electric	150HP / 112kW all-electric power
Discharge Conveyor Width	36" / 914mm
Two Deck Inclined Screen	4' x 12' / 1.2M x 3.7M
Top Screen Deck Cross Conveyor Width	18" / 457mm
Bottom Screen Deck Chute	Yes
Fines Screen Conveyor Width	42" / 1067mm
Return Conveyor (Hydraulic Fold) Width	18" / 457mm

## ULTRAMAX® IMPACTOR MODEL AND SPECIFICATIONS\*

Model	Diameter x Width	Width x Height	Power Required (HP / kW)	Approx. Weight (lbs / kg)	Rotor Weight (lbs / kg)	Production Capacity**
	Rotor (Inches / Millimeters)	Feed Opening (Inches / Millimeters)				
UM-05	40 x 33 / 1016 x 838	33 x 32 / 838 x 813	75 - 150 / 56 - 112	20900lbs / 9500kg	7000lbs / 3200kg	Varies by application.

\*Design specifications subject to change without notice.

\*\*Contact your Eagle Sales Representative with your specific application for anticipated production capacity.

Call 800-25-EAGLE (800-253-2453) or visit [www.EagleCrusher.com](http://www.EagleCrusher.com)  
525 South Market St., Galion, OH 44833 • 419-468-2288 • fax: 419-468-4840 • email: [sales@eaglecrusher.com](mailto:sales@eaglecrusher.com)

Rev 02/2023

**EAGLE CRUSHER®**

©2023 Eagle Crusher Company, Inc.