



# ULTRAMAX<sup>®</sup> 1000-CV

This highly portable impactor plant is one of the most durable, reliable, and versatile plants for your medium-sized jobs.

## PRIMARY FEATURES

- » Easily transports in one pull. Check with your DOT.
- 1** Optional electro-magnet is available as a cross-belt or in-line installation that stays on for transport.
- » Hydraulic lift and leveling system enables quick set up and tear down by using the hydraulic run-on legs.
- 2** Totally self-contained, reliable diesel/electric or all-electric power. You won't have to worry about hydraulic leaks and failures shutting you down.
- » Features the industry's first LIFETIME ROTOR WARRANTY on its solid-steel, three-bar, sculptured rotor—the industry's heaviest—to keep you up and crushing.\*

\* North America only.



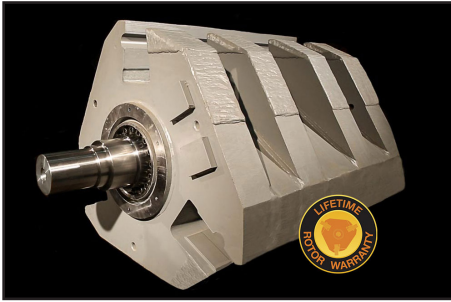
## ADDITIONAL FEATURES

- » Outperforms similar sized track units for production and quality of product.
- » Transports with ease. Just hook up the tractor and go. No additional or specialized trailer necessary.
- » Moves easily around the job site with the optional dolly kit with pintle hitch.
- » Features unique two-step, 5' grizzly deck to remove fines before crushing.
- » Features standard grizzly bypass chute and available cross-belt conveyor with flop gate to allow for either removal of the material that passes through the grizzly deck for stockpiling or blending back with the crushed material.
- » Includes removable electrical control panel featuring pre-wired receptacles for radial stackers.
- » Manage the feeder speed for complete control of the flow of material into the impactor with Variable Frequency Drive (VFD).
- » Includes wireless remote control for the feeder shutdown and all motor stop.



# ULTRAMAX® 1000-CV

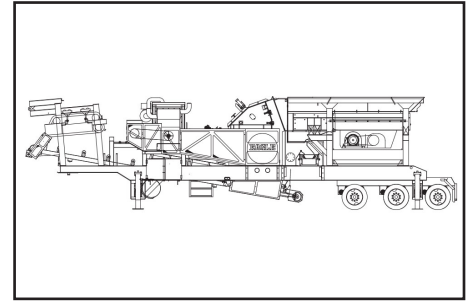
CV refers to the discharge conveyor coming straight out from the front of the impactor plant.



Solid-steel, three-bar, sculptured rotor with LIFETIME ROTOR WARRANTY, North America only.



Easy, one-pull transport. Check with your DOT.



## 1000-15 CV PORTABLE IMPACTOR PLANT TECHNICAL SPECIFICATIONS\*

Model	
Impactor	UM-15
Operating Length	51' 9" / 15.8M
Gross Weight	88000lbs / 39900kg
Travel Length	46' 7" / 14.2M
Travel Width	11' 11" / 3.6M
Travel Height	13' 5" / 4.1M
Feed Hopper Capacity	11yd <sup>3</sup> / 8.4M <sup>3</sup>
Feed Hopper Capacity (Tons)	14.9T / 13.5MT
Vibrating Feeder	16' x 39" / 4.9M x 1.0M
Feeder Grizzly Deck	60" long 2 step / 1524mm 2 step
On-Plant Power Supply Diesel	325HP / 242kW diesel engine and 140kW generator or
On-Plant Power Supply Electric	200HP / 149kW all-electric power
Discharge Conveyor Width	36" / 914mm
Discharge Conveyor Height	7' 2" / 2188mm

## ULTRAMAX® IMPACTOR MODEL AND SPECIFICATIONS\*

Model	Diameter x Width		Width x Height		Approx. Weight (lbs / kg)	Rotor Weight (lbs / kg)	Production Capacity**
	Rotor (Inches / Millimeters)	Feed Opening (Inches / Millimeters)	Power Required (HP / kW)				
UM-15	44 x 41 / 1118 x 1041	42 x 32 / 1067 x 813	150 - 200 / 112 - 149		28000lbs / 12700kg	9750lbs / 4400kg	Varies by application.

\*Design specifications subject to change without notice.

\*\*Contact your Eagle Sales Representative with your specific application for anticipated production capacity.

Call 800-25-EAGLE (800-253-2453) or visit [www.EagleCrusher.com](http://www.EagleCrusher.com)  
525 South Market St., Galion, OH 44833 • 419-468-2288 • fax: 419-468-4840 • email: [sales@eaglecrusher.com](mailto:sales@eaglecrusher.com)

Rev 02/2023

**EAGLE CRUSHER®**

©2023 Eagle Crusher Company, Inc.